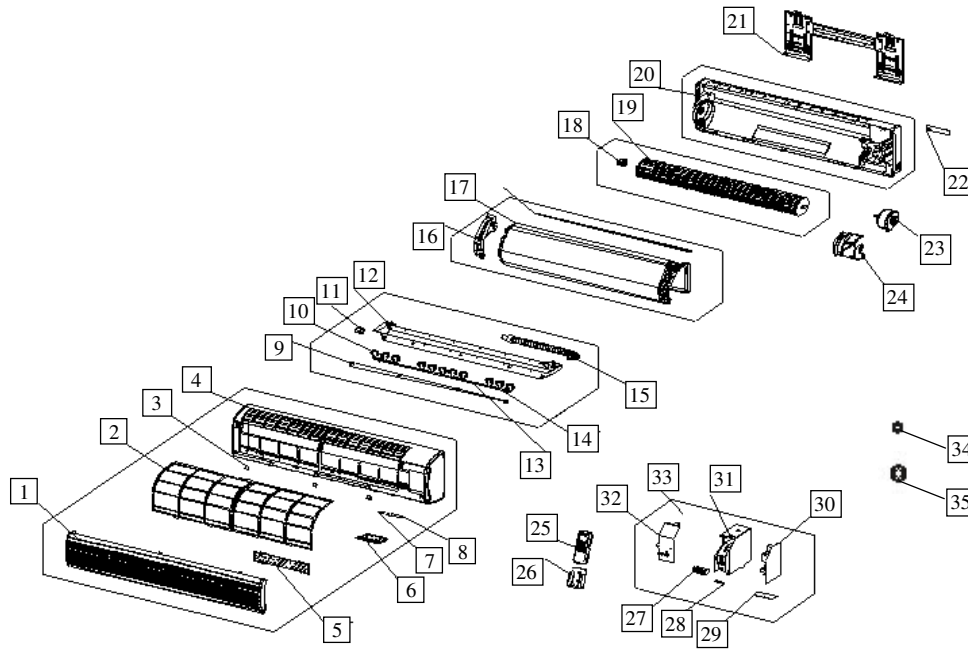
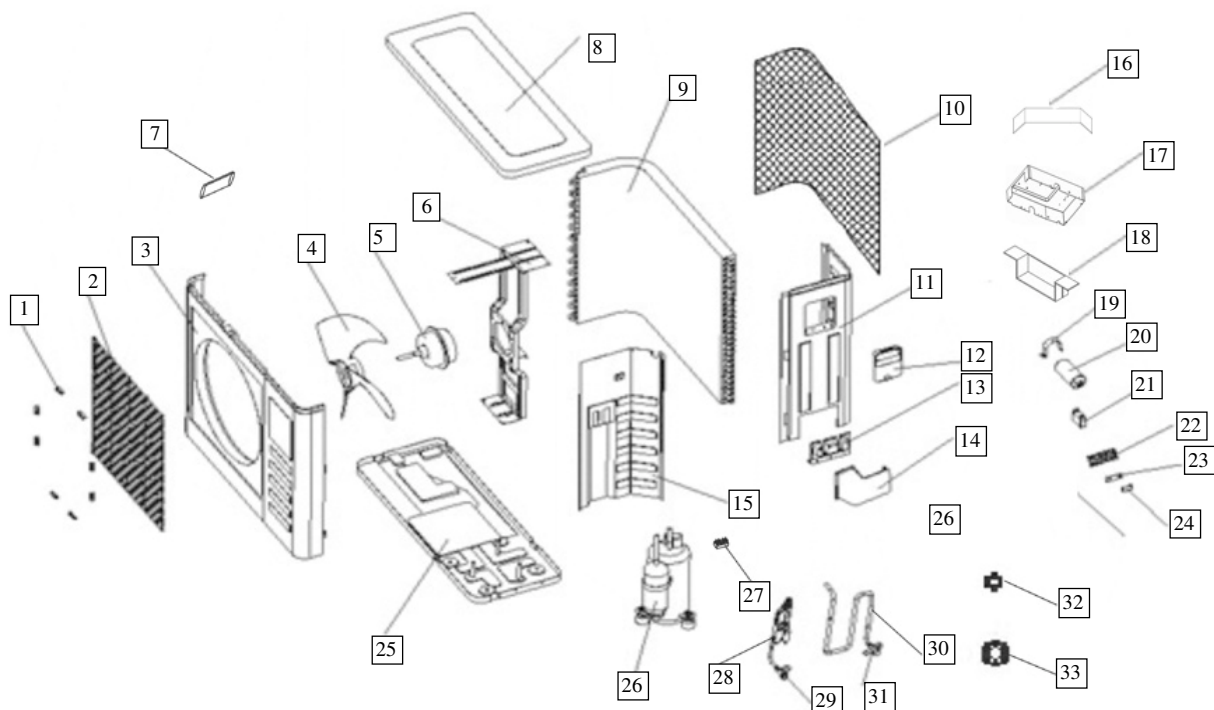


Exploded View Parts for Model: ACM-09CRN1 (220032301630) 115V,60Hz : Indoor Unit



No.	Part Name	Quantity	BOM code	Remark
1	Front Panel	1	201131320307	
2	Air Filter	2	201131320312	
3	Screw cap	3	201131320323	
4	Panel frame	1	201131320315	
5	Air cleaner	1	201130100212	
6	Display Panel	1	201131320317	
7	Window for receiver	1	201131320310	
8	Indicator for LED	1	201131320309	
9	Horizontal louver	1	201131320335	
10	Vertical louver	11	201131320336	
11	Louver motor	1	202400200012	
12	Air out frame	1	201131320334	
13	Louver holder	1	201131320337	
14	Louver rocker	2	201131320338	
	Rocker gasket	2	202730100203	
15	Drain hose	1	201101020014	
16	Left holder for evaporator	1	201131320313	
17	Evaporator	1	201532390004	
18	Bearing holder	1	202730100201	
19	Cross flow fan, assy	1	201100200008	
20	Chassis	1	201131320302	
21	Installation Plate	1	201230500005	
22	Connecting pipe clamp	1	201130100204	
23	Fan motor	1	202400300008	
24	Motor cover	1	201131320316	
25	Remote Controller	1	203355090136	
26	Holder, Remote Controller	1	201131390022	
27	Wire joint	1	202301400064	
28	Wire clamp	1	201130100209	
29	Display board	1	203331390087	
30	Main control board	1	201331390081	
	program chip	1	201300730882	
31	E-Parts Box	1	201131390141	
32	E-part box cover	1	201131390122	
33	Electric control assy	1	203332390006	
34	Copper nut, TLM-A01	1	201600320000	
35	Copper nut, TLM-B02	1	201600320001	

**Exploded View Parts for Model : ACM-09CRN1 (220037301350) 115V, 60Hz : Outdoor Unit**



No.	Part Name	Quantity	BOM Code	Remark
1	Clamp for front net	6	201135110801	
2	Front Net Cover Ass'y	1	201235100023	
3	Front clapboard	1	201235250264	
4	Propeller fan	1	201100300502	
5	Fan Motor	1	202400490020	
6	Holder for fan motor	1	201235250223	
7	Small Handle	1	201150290006	
8	Cover	1	201235250265	
9	Condensor assembly	1	201537390002	
10	Rear net	1	201135220361	
11	Right clapboard	1	201235290218	
12	Big Handle	1	201235290217	
13	Installation plate for valve	1	201235000018	
14	Water collector	1	201135290005	
15	Separating board	1	201235250761	
16	Installation board for E-pa	1	201235270925	
17	Electronic control box	1	201235290216	
18	E-parts installation box	1	201135210304	
19	Capacitor Clamp	1	201200100005	
20	Compressor capacitor	1	202401000751	
21	Fan motor capacitor	1	202401190010	
22	Washer for wire joint	1	201135000004	
23	Wire joint	1	202301400067	
24	Wire Clamp	1	201219900001	
25	Chassis	1	201235290074	
26	Compressor	1	201400630340	EA82X1C-1FZDU1
27	Over current protector	1	202402190143	
28	Liquid valve assembly	1	201637390027	
29	Liquid pipe valve	1	201600740522	
30	Gas valve assembly	1	201637390083	
31	Low Pressure Valve	1	201600720018	
32	Copper nut, TLM-A01	1	201600320000	
33	Copper nut, TLM-B02	1	201600320001	
34	PCB,outdoor unit	1	201335290202	