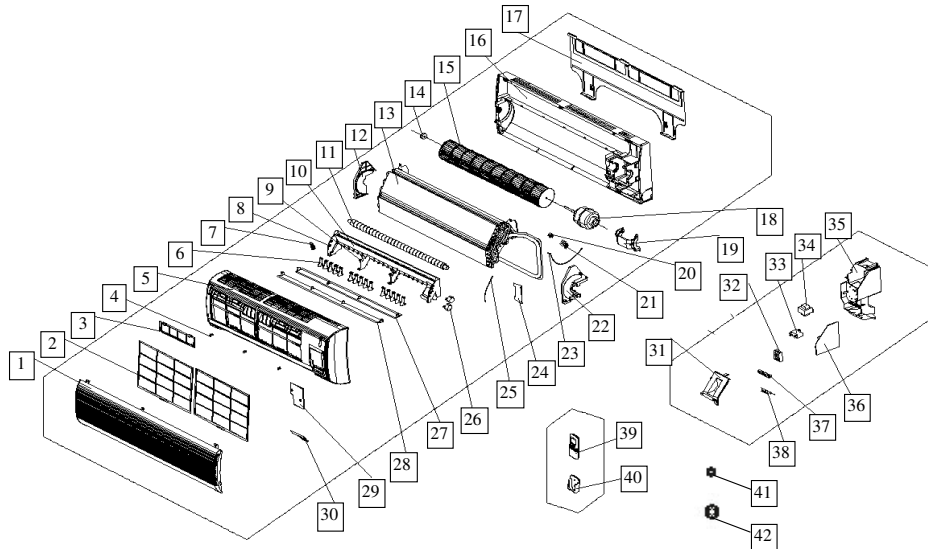
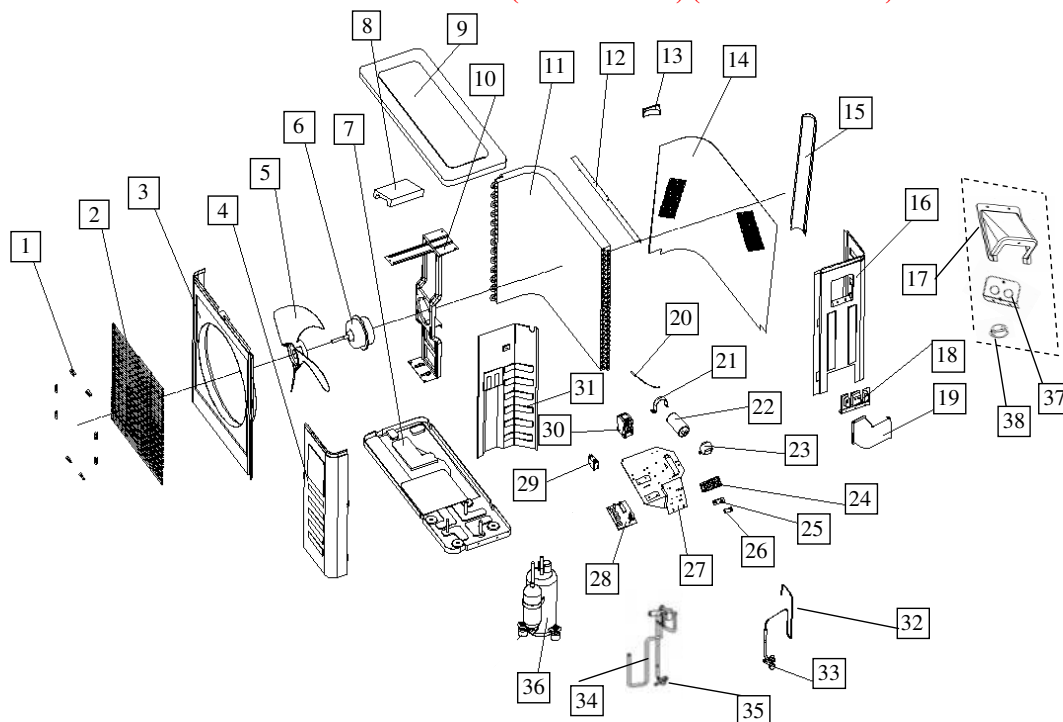


Exploded View Parts for Model: ACM-18HRN1-B (220032800990) 208-230V,60Hz Indoor Unit



No.	Part Name	Quantity	Sale code	BOM code	Remark
1	Front panel	1		201130790138	
2	Air filter	2		201130790047	
3	Air cleaner	1		201130790097	
4	Screw cap	3		201130790049	
5	Panel frame	1		201130790139	
6	Horizontal airflow grille	15		201130790144	
	Grille holder	3		201130790145	
7		1		202730790002	
8	Big bush	2		201130790146	
9	Small bush	4		201130790147	
10	Air out frame	1		201130790141	
11	Drain hose	1		201101090002	
12	Left holder for evaporator	1		201130790043	
13	Evaporator I	1		201533090015	
	Evaporator II	1		201533090016	
	Evaporator III	1		201533090017	
14	Bearing holder	1		202730790001	
15	Cross flow fan, assy	1		201100290010	
16	Chassis	1		201130790099	
17	Installation Plate	1		201230790017	
18	Fan motor	1		202400400610	
19	Fixing part for motor	1		201130790045	
20	Protector for temp sensor	1		201130490002	
21	Clamp for temp sensor	1		201130390070	
22	Right holder for evaporator	1		201130790044	
23	Indoor temp sensor	1		202433190000	
24	Connecting pipe clamp	1		201230790016	
25	Evaporator temp sensor	1		202430690051	
26	Louver motor	1		202400200004	
27	Vertical airflow louver, down	1		201130790143	
28	Vertical airflow louver, up	1		201130790142	
29	Window cover for repairing	1		201130790339	
30	Control assy	1		201130790140	
31	E-part box cover	1		201130790048	
32	Terminal block	1		202301450105	
33	Fan motor capacitor	1		202401100351	
34	Transformer	1		202300990003	
35	E-Parts box	1		201130790340	
36	Main control board	1		201332890015	
37	Wire clamp for power cord	1		201130700033	
38	Display board	1		201330790081	
	Display board enclosure	1		201130790104	
39	Remote controller	1		203355090135	
40	Holder for remote controller	1		201131390022	
41	Copper nut, TLM-A01	1		201600320000	
42	Copper nut, TLM-C03	1		201600320002	

Exploded View Parts for Model: ACM-18HRN1-B (220037800780) (208-230V~ 60Hz):Outdoor Unit



No.	Part Name	Quantity	CODE	Remark
1	Clamp for front net	8	201135110801	
2	Front net	1	201235390011	
3	Front clapboard	1	201245500037	
4	Front right clapboard	1	201245510107	
5	Propeller fan	1	201145500002	
6	Fan motor	1	202400410715	
7	Chassis	1	201248100080	
8	Foam over holder for motor	1	202245500001	
9	Cover	1	201248100072	
10	Holder for fan motor	1	201248100074	
11	Condenser	1	201535490081	
12	Holder for rear net	1	201248100076	
13	Small handle	1	201150290006	
14	Rear Net	1	201145500004	
15	Left supporting board	1	201248100070	
16	Rear right clapboard	1	201235490046	
17	Big handle	1	201235290217	
18	Installation plate for valves	1	201235000018	
19	Water collector	1	201135290005	
20	Condenser temp sensor	1	202440500004	
21	Capacitor clamp	1	201200100002	
22	Compressor capacitor	1	202401090012	
23	Transformer	1	202300900180	
24	Wire joint	1	202301450035	
25	Washer for wire joint	1	201135000004	
26	Clamp for wiring	1	201245400027	
27	E-parts installation box	1	201238090000	
28	Main control board	1	201335490110	
29	Fan motor capacitor	1	202401100351	
30	Contactora	1	202300850004	

31		Separating board	1	201237800001	
32		Liquid valve assy	1	201637890044	
33		Liquid pipe valve	1	201600740522	
34		Gas valve assy	1	201637890060	
35		Gas pipe valve	1	201600720617	
36		Compressor	1	201400630370	PA150X2CS-3KUU
37		Casing pipe link	1	201235290219	
38		Protection cover	2	201135290207	