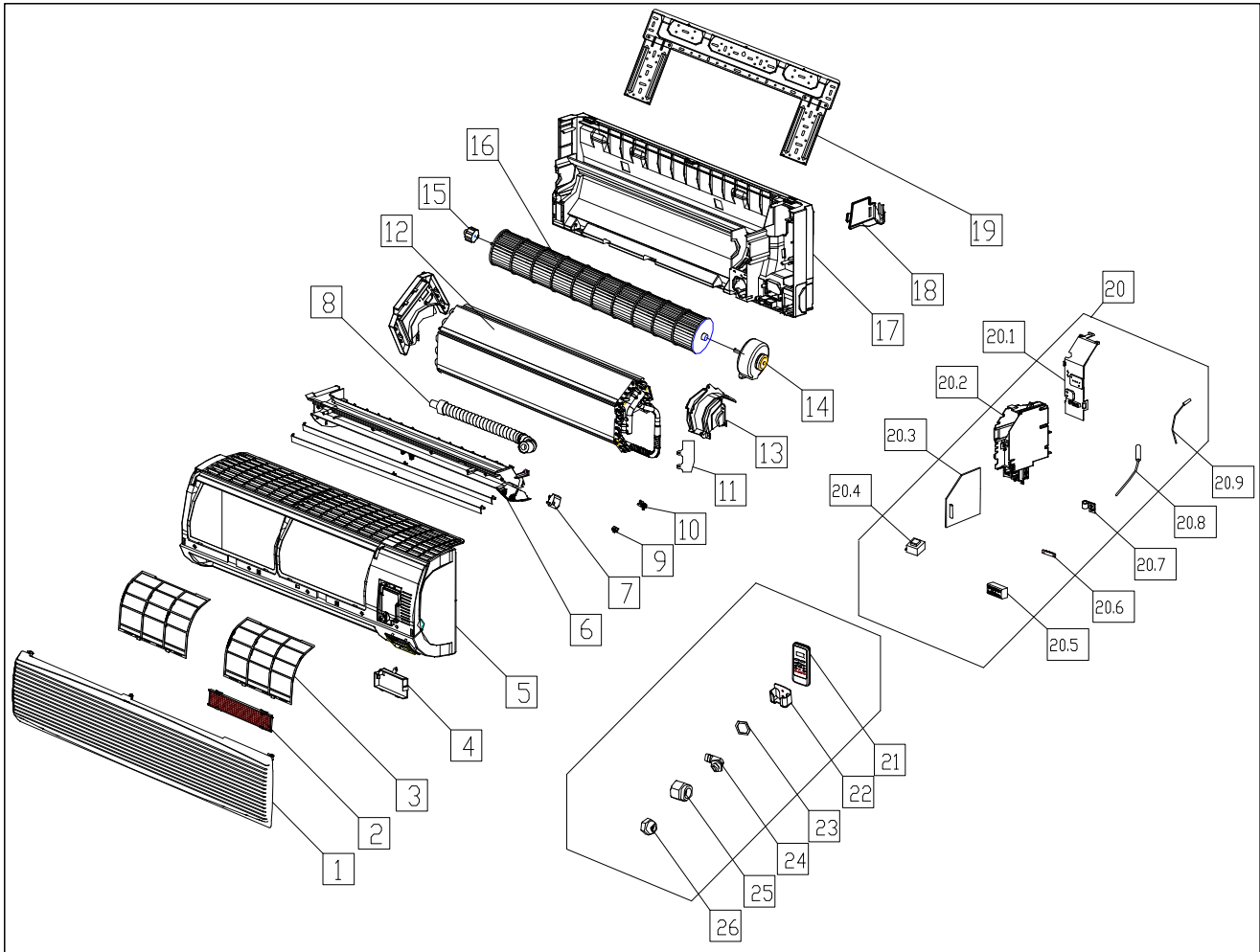


**Series:** EXP\_ACM-12HRN1\_EA108X1C-1FZDU1

**Model:** ACM-12HRN1 115V~ 60HZ

**Factory:** UL-KFR35G/AN1Y-I1 (EH) 220032501140



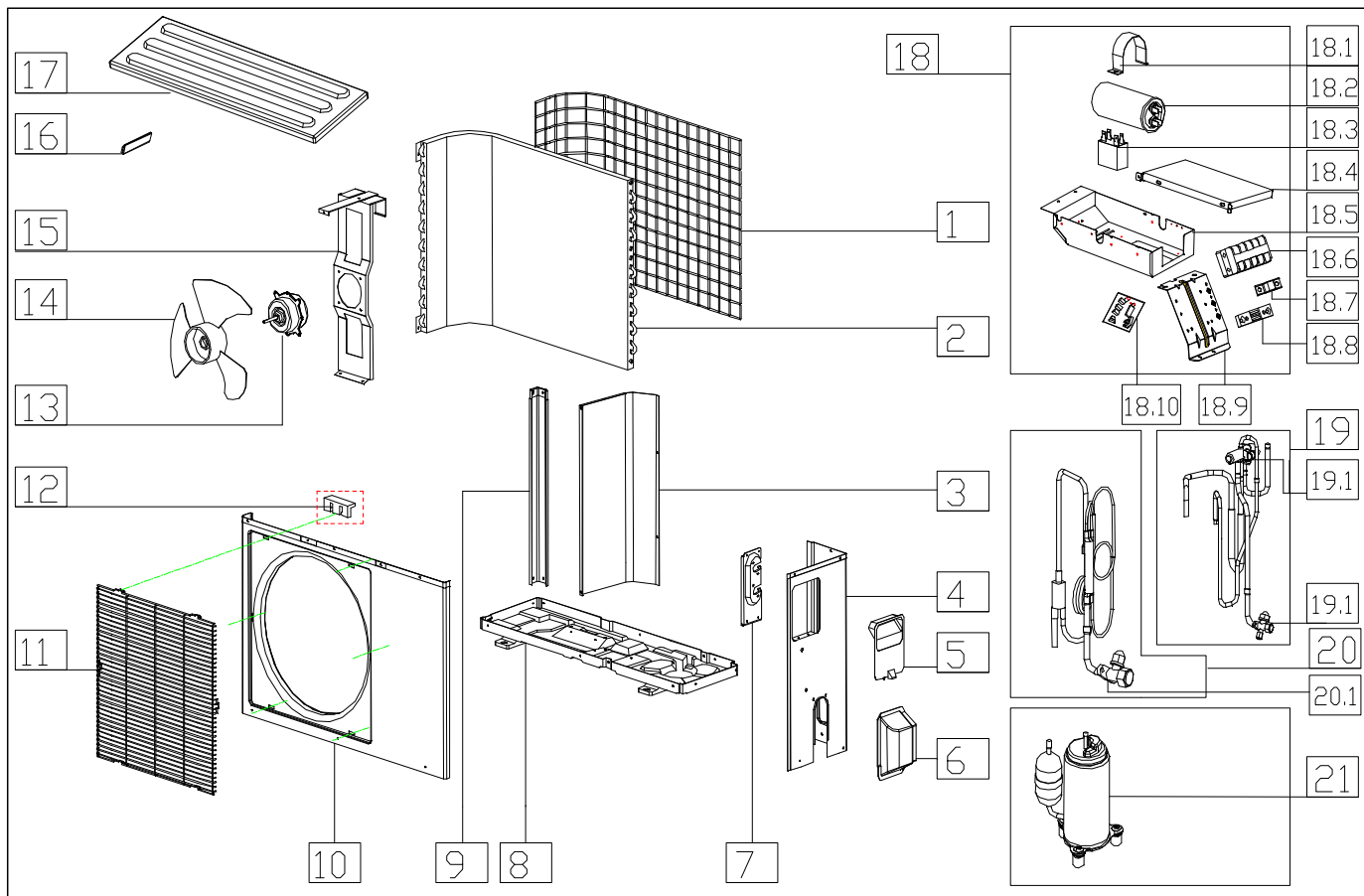
No.	Part Name	Quantity	BOM Code	Remark
1	Front Panel	1	201131390942	
2	Air cleaner holder	1	201130100217	
	Air cleaner	1	201130100212	
3	Air filter	2	201131010402	
4	display box assy	1	201332590022	
5	Panel frame assy	1	201132800072	
6	Air out frame assembly	1	201132800005	
7	Louver motor	1	202400100022	
8	Drain hose	1	201101020012	
9	sensor clamp	1	201130390070	
10	Baffle of temperature induction	1	201130490002	
11	Waterproof board	1	201131010409	
12	Evaporator,assy	1	201530290016	
13	Motor cover	1	201131010403	

14		Motor	1	202400300011	
15		Bearing holder	1	202731010401	
16		Cross flow fan	1	201131010401	
17		chassis assembly	1	<b>2011313d0540</b>	
18		Connecting pipe clamp	1	201131010405	
19		Installation plate	1	201232790009	
20		Electronic control box, indoor unit	1	203332590014	
20.1		E-Parts box's cover	1	201131390042	
20.2		E-Parts box	1	201131010410	
20.3		Main control board (including Program chip)	1	201332590316	
20.5		Wire joint	1	202301400064	
20.6		Power cord clamp	1	201130400042	
20.8		Indoor temp sensor	1	202432390005	
20.9		Evaporator temp sensor	1	202301300080	
21		Remote Controller	1	203355090135	
22		Holder, Remote Controller	1	201155060529	
23		seal	1	202720090001	
24		connector for watering	1	201101020011	
25		Copper nut, TLM-A01	1	201600320000	
26		Copper nut, TLM-C03	1	201600320002	

**Series:** EXP\_ACM-12HRN1\_EA108X1C-1FZDU1

**Model:** ACM-12HRN1 115V~ 60HZ

**Factory:** UL-KFR35W/N1-120(EH) 220037500800



No.	Part Name	Quantity	BOM code	Price(\$)	Remark
1	Rear net	1	201137460003		
2	condenser coil assembly	1	201535290100		
3	partition plate assembly	1	201237300169		
4	Right clapboard assembly	1	201237590003		
5	Big handle	1	201235290217		
6	Water collector	1	201135270201		
7	valve plate	1	201235120614		
8	base pan assembly	1	201237400058		
9	Left supporter	1	201237400028		
10	front panel	1	201237400029		
11	Front net	1	201235100023		
12	Clamp for front net	6	201135110801		
13	asynchronism motor(iron)	1	202400490020		
14	axial flow fan	1	201100300502		
15	motor mounting bracket	1	201237500005		
16	Small handle	1	201150290006		
17	top cover	1	201237400102		
18	electrical box assembly	1	203337590003		
18.1	clip, capacitor	1	201200100005		
18.2	Capacitor, Compressor	1	202401000751		

18.3		wires capacitor	1	202401190010		
18.4		E-parts installation box	1	201135210305		
18.5		E-parts box	1	201237590006		
18.6		terminal	1	202301400065		
18.7		Wire Clamp	1	201219900001		
18.8		insulation plate	1	201135000004		
18.9		outdoor terminal plate	1	201237590002		
18.10		Main control board ass'y	1	201337390001		
19		4-Ways valve Ass'y	1	201637590109		
19.1		4-Ways valve	1	201600690009		
19.2		Gas pipe valve	1	201600720618		
20		liquid valve assembly	1	201637590078		
20.1		liquid valve	1	201600740523		
21		compressor	1	201400630350		